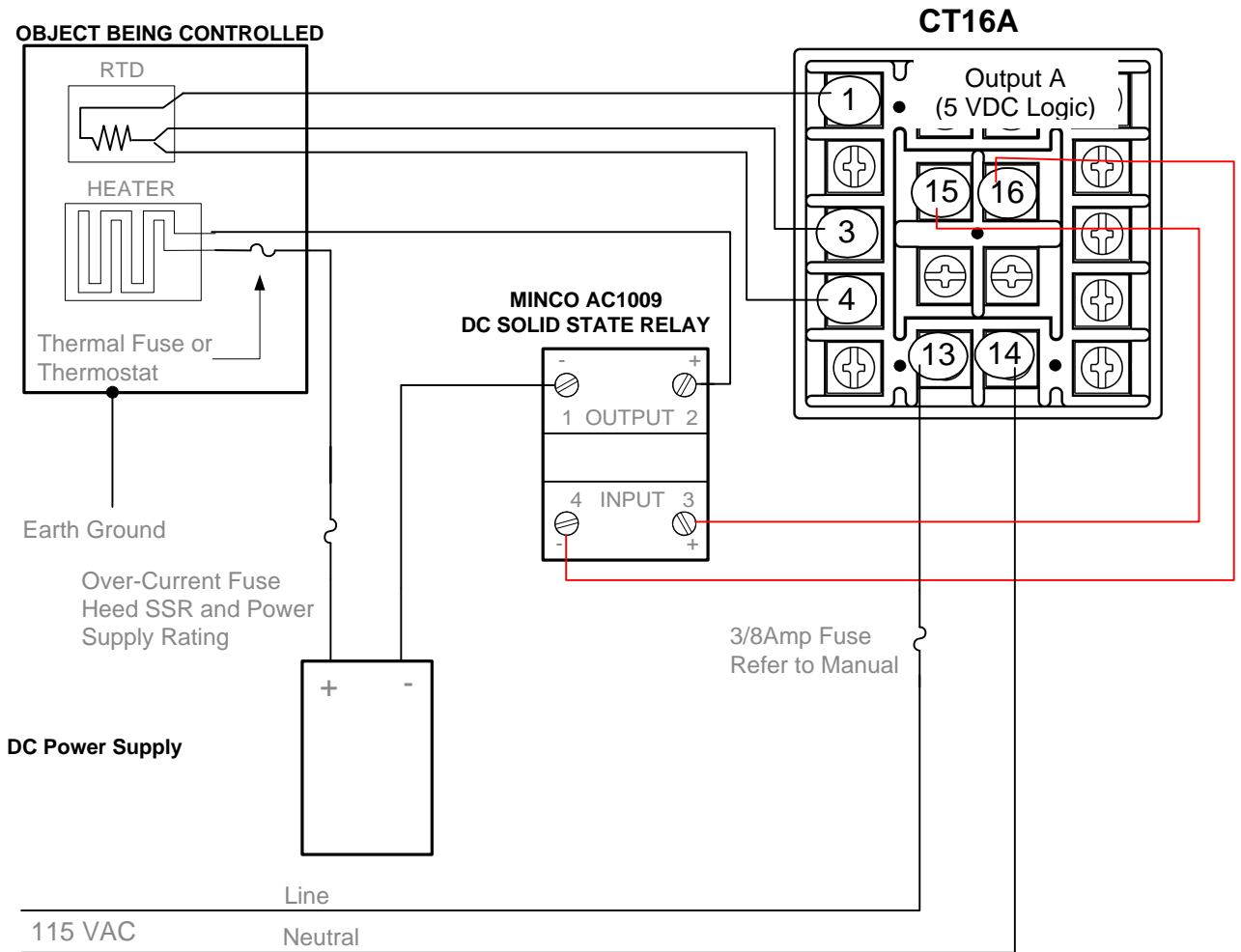


DC Wiring

External DC SSR
(AC1009 is capable of handling 20 amps max.)



Copyright Minco Products, Inc. 2001
Instruments Department Dwg. #00006_16A

MINCO PRODUCTS, INC.

7300 Commerce Lane/Minneapolis, Minnesota 55432-3177 U.S.A.

Telephone:(763)571-3121 FAX:(763)571-0927

WWW.MINCO.COM

7/24/01 dac