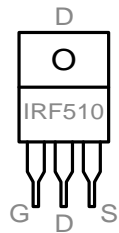
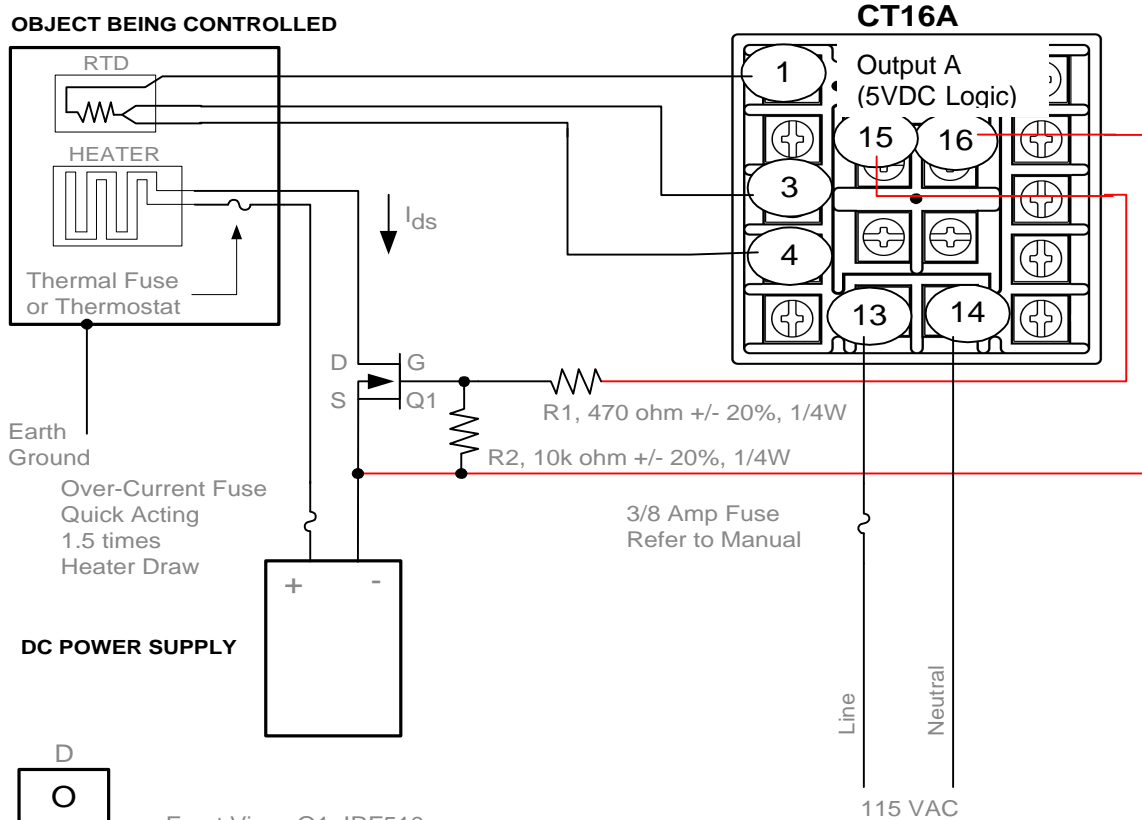


DC Wiring

External Power Transistor to Switch DC Power



IRF510

Absolute Maximums

- Drain-Source Voltage: 100V
- Drain-Gate Voltage : 100V
- Continuous Drain Current: 4.0 A
- Pulsed Drain Current: 16.0 A
- Gate-Source Voltage: 20V
- Max. Power Dissipation: 20W

Electrical Specifications

- Gate Threshold Voltage: 100V
- On-Resistance: 0.54 ohm (max.)
- Forward Transconductance: 1.0 ohms
- Input Capacitance: 150 pf (max.)
- Output Capacitance: 100 pf (max.)

Copyright Minco Products, Inc. 2001  
Instruments Department Dwg. #00009\_16A

**MINCO PRODUCTS, INC.**

7300 Commerce Lane/Minneapolis, Minnesota 55432-3177 U.S.A.  
Telephone:(763)571-3121 FAX:(763)571-0927

WWW.MINCO.COM

7/24/01 dac