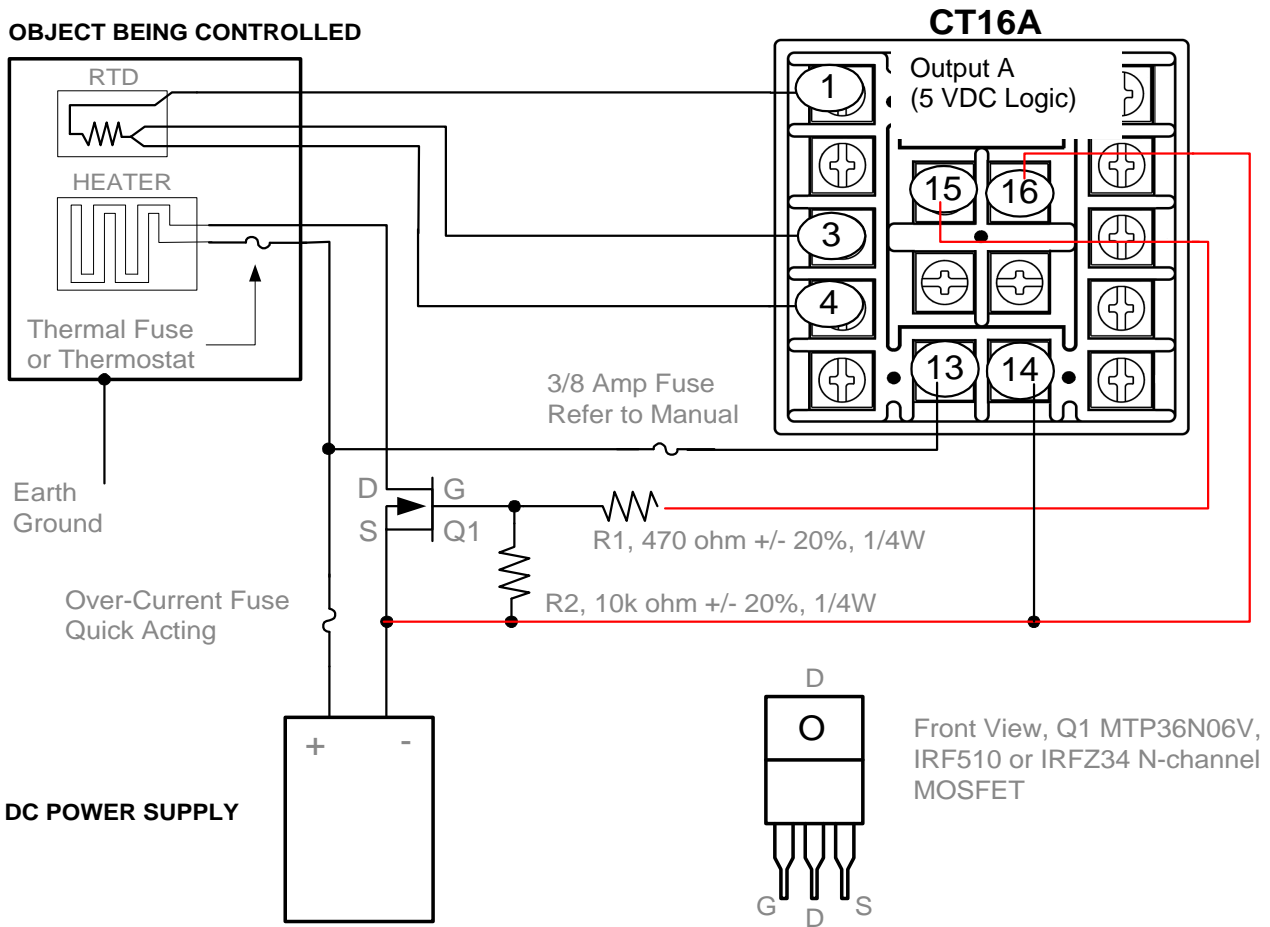


DC Wiring

External Power Transistor in an All-DC system



Note: Only the controllers purchased with the DC power supply option can be DC-powered.

Copyright Minco Products, Inc. 2001
 Instruments Department Dwg. #000010_16A

MINCO PRODUCTS, INC.

7300 Commerce Lane/Minneapolis, Minnesota 55432-3177 U.S.A.

Telephone:(763)571-3121

FAX:(763)571-0927

WWW.MINCO.COM

7/24/01 dac