

FG3015 Leadwire and Cable Seal with Split Grommet

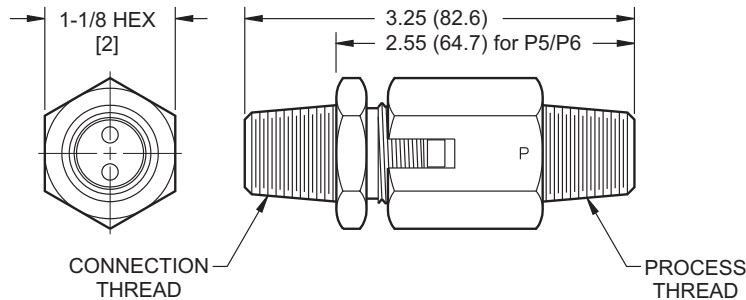
Stop oil seepage!

- ◆ Seals cable, feedthroughs, probes, or up to six wires
- ◆ Easy installation without potting or cable threading
- ◆ Stainless steel fitting
- ◆ Temperature: -40 to 150°C (-40 to 302°F)
- ◆ Pressure: 50 psi (3.4 bar) at 20°C

Typical applications include sealing RTD and thermocouple leadwires where they exit the oil-filled housings of bearings in motors, generators, turbines, pumps, and compressors.

Consult the factory for replacement parts and custom options: alternate hex or thread sizes, number and diameter of holes, and grommet material.

Dimensions in inches (millimeters):



Selecting grommet hole size

Cable/tube/wire diameter range	AC100324 filled cable:	Grommet hole Ø	No. of holes*
0.035" to 0.050" (0.89 to 1.27 mm) AWG 30 to 22		0.050" (1.27 mm)	6
0.100" to 0.130" (2.54 to 3.30 mm)	AWG 24: 2 wire AWG 26: 2, 3, 4 or 6 wire AWG 28: 2, 3, 4 or 6 wire AWG 30: 6 wire	0.130" (3.30 mm)	4
0.130" to 0.160" (3.30 to 4.06 mm)	AWG 24: 3 or 4 wire	0.160" (4.06 mm)	4
0.160" to 0.190" (4.06 to 4.83 mm)	AWG 24: 6 wire	0.190" (4.83 mm)	3
0.190" to 0.220" (4.83 to 5.59 mm)		0.220" (5.59 mm)	2

*Viton plugs are provided to fill unused holes.

How to order

FG3015	Model number		
P2	Thread size:	Connection	Process
	P1 =	1/2 NPT	3/4 NPT
	P2 =	3/4 NPT	3/4 NPT
	P3 =	1/2 NPT	1/2 NPT
	P4 =	3/4 NPT	1/2 NPT
	P5 =	None	1/2 NPT
	P6 =	None	3/4 NPT
SS	Fitting material:	SS = Stainless steel	
2	Number of holes	See table for available options	
V	Grommet material:	V = Viton	
220	Hole diameter in 0.001" increments	See table for available options Example: 220 = Ø 0.220"	
FG3015P2SS2V220 ← Sample part number			

Contact Minco for information on:

- Standard 1-bore fluid seal fittings
- Tubular feedthroughs for sensor leads
- Extension leadwires and cable
- Bearing RTD's and thermocouples
- Probe RTD's and thermocouples
- Weatherproof heads and other fittings
- AC100324 Elastomer filled cable to prevent oil leaks