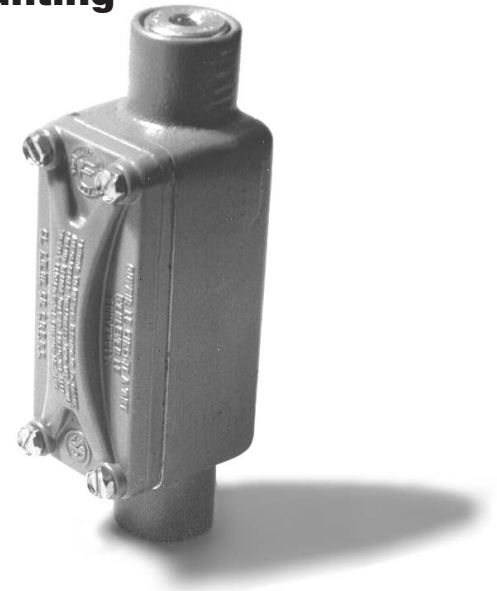


Wall-Mount Explosionproof Temperature Sensors

At last!

An explosionproof sensor suitable for wall mounting

- ◆ UL listed and CSA approved for Class I, Groups C & D; Class II, Groups E, F, and G; Class III
- ◆ Install in paint booths, chemical storage rooms, petroleum facilities — anywhere flammable atmospheres present a danger
- ◆ Available as 100 Ω platinum RTD, 1000 Ω platinum RTD, 10K Ω thermistor, and 2252 Ω thermistor
- ◆ Compact, unobtrusive design
- ◆ Compatible with standard conduit fittings
- ◆ Explosionproof 4 to 20 mA transmitters available for remote mounting



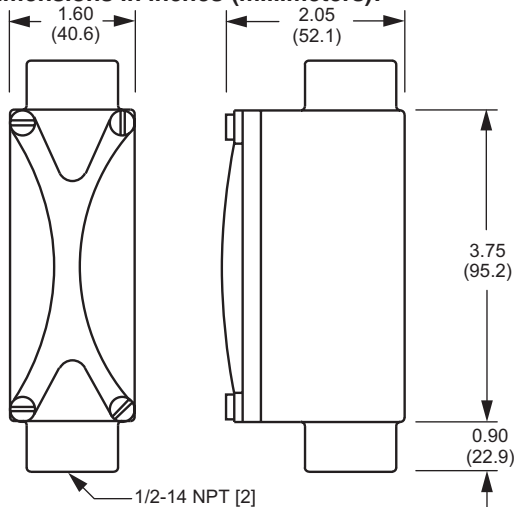
Specifications

Temperature range: -45.5 to 100°C (-50 to 212°F).

Material: Copper free aluminum enclosure.

Leads: AWG 26, length 6" (150 mm) inside cover.

Dimensions in inches (millimeters):



Standard models

Model	Element	
RTD's		TCR (Ω/Ω/°C)
S100147PD	Platinum, 100 Ω ±0.12% at 0°C	0.00385
S100148PF	Platinum, 1000 Ω ±0.12% at 0°C	0.00385
S101608PW	Platinum, 1000 Ω ±0.12% at 0°C	0.00375
Thermistors		R₂₅/R₁₂₅
TS100149TA	2,252 Ω ±1% at 25°C	29.2
TS100150TB	10,000 Ω ±1% at 25°C	23.5

How to order

S100147PD	Model number from table above
Y	Number of leads: Y = 2 leads Z = 3 leads
S100147PDY ← Sample part number	



Made in the
USA

MINCO
ISO 9001: 2000

Minco Products, Inc
7300 Commerce Lane
Minneapolis, MN 55432 U.S.A.
Tel: 763-571-3121
Fax: 763-571-0927
www.minco.com

Customer Service/Order Desk:
Tel: 763-571-3123
Fax: 763-571-0942
custserv@minco.com



Minco S.A.
Usine et Service
Commercial, Z.I.
09310 Aston, France
Tel: (33) 5 61 03 24 01
Fax: (33) 5 61 03 24 09

Minco EC
Hirzenstrasse 2
CH-9244 Niederuzwil
Switzerland
Tel: (41) 71 952 79 89
Fax: (41) 71 952 79 90