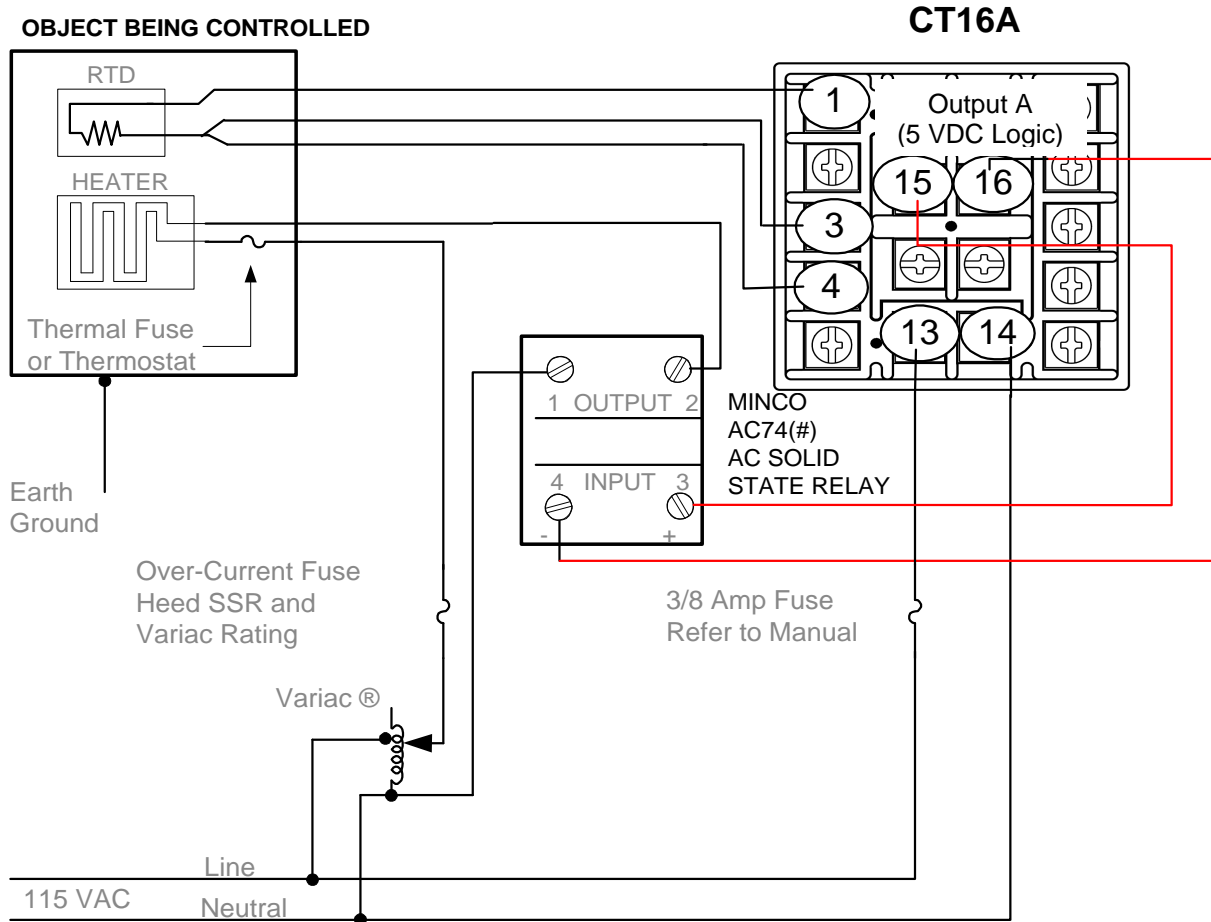


# AC Wiring

# Variable AC Autotransformer to Adjust Heater Wattage



Note: Variac is a registered trademark of TechniPower Designs, Inc.

Copyright Minco Products, Inc. 2001  
Instruments Department Dwg. #00004\_16A

## MINCO PRODUCTS, INC.

7300 Commerce Lane/Minneapolis, Minnesota 55432-3177 U.S.A.

Telephone:(763)571-3121 FAX:(763)571-0927

WWW.MINCO.COM

7/24/01 dac