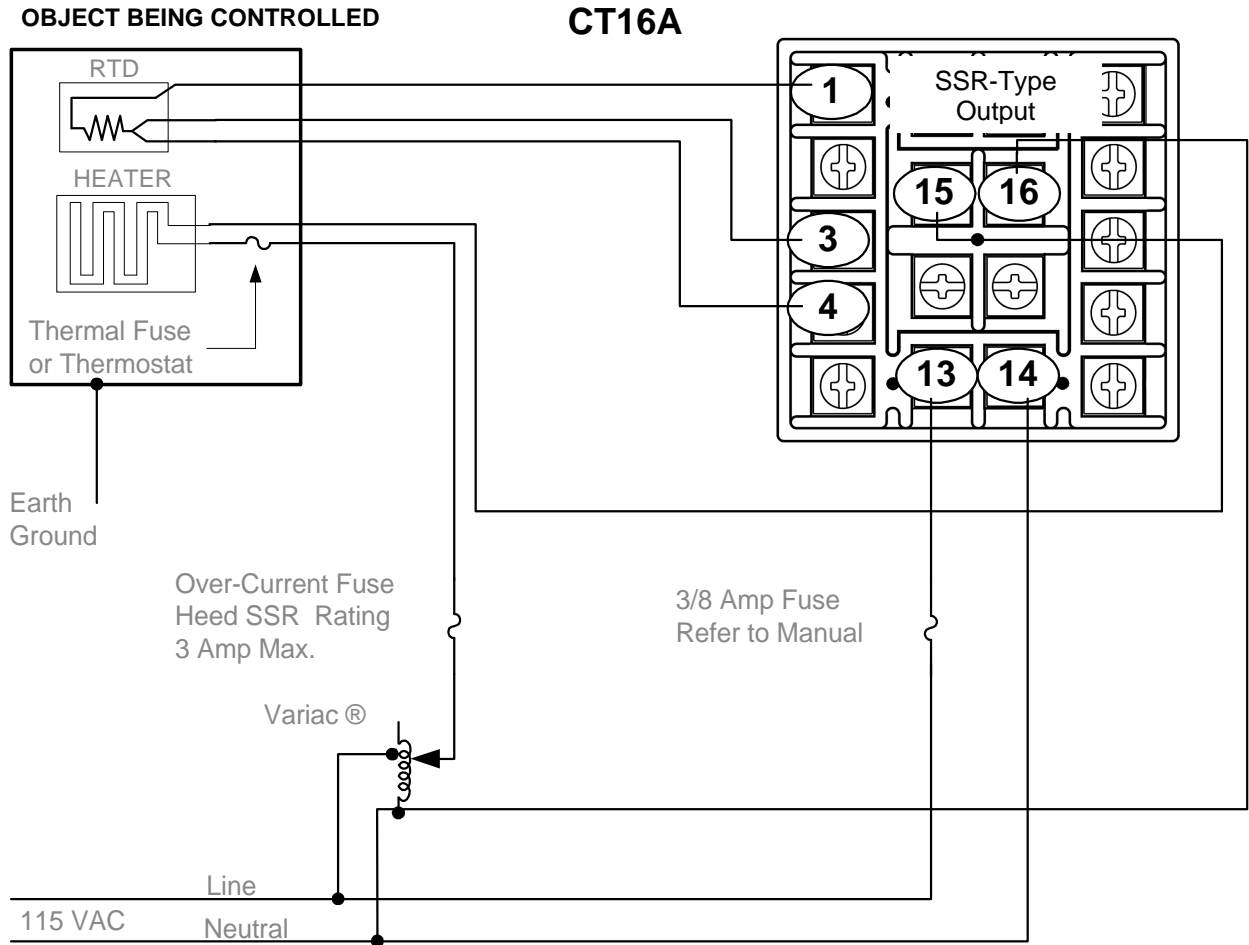


AC Wiring

Variable AC Autotransformer to Adjust Heater Wattage with a Controller that has a Built-in SSR-type Output



Note: The SSR type of output is specified to operate with a voltage of 48 VAC or higher and a minimum current of 0.1 amp, but you may be able to operate at lower voltages and currents.

Note: Variac is a registered trademark of TechniPower Designs, Inc.